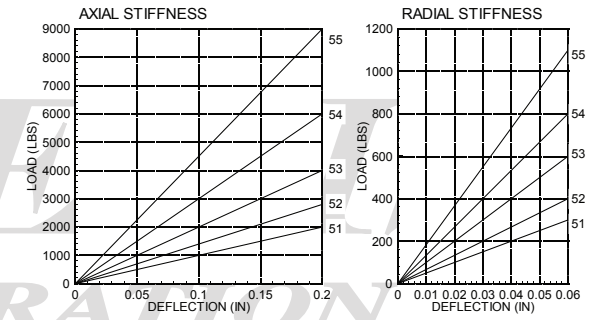
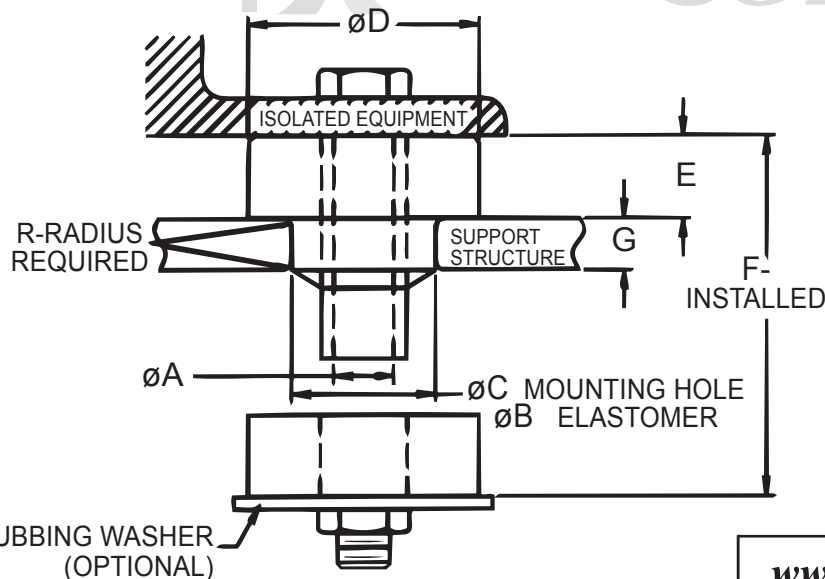


Part No.	A	B	C	D	E	F	G		R
							Thin Support	Thick Support	
60011 thru 15	0.39	0.78	0.75	1.25	0.50	1.25	0.37	N/A	0.03
60021 thru 25	0.53	1.31	1.25	1.87	0.78	1.94	0.50	0.56	0.06
60031 thru 35	0.64	1.55	1.50	2.53	0.90	2.45	0.75	0.88	0.08
60041 thru 45	0.94	2.30	2.25	3.50	1.00	2.88	1.00	1.12	0.12
60051 thru 55	1.06	2.55	2.50	4.88	1.25	3.38	1.00	1.25	0.12

**60051 thru 55 Series**



Curves are for recommended THICK support.  
Consult Tech Products for thin support information



**Static Load Rating (lbs.)**

Part No.	Color Code	Thin Support	
		Axial	Radial
60051	Yellow	300	150
60052	Red	500	220
60053	Green	700	300
60054	Blue	900	470
60055	White	1200	660
Part No.	Color Code	Thick Support	
		Axial	Radial
60051	Yellow	1150	250
60052	Red	1925	350
60053	Green	2575	600
60054	Blue	3550	900
60055	White	4550	1400

<b>www.ALLEGISCORP.com</b>		MATERIAL / FINISH :	
<b>1-866-378-7550</b>		Standard Neoprene elastomer	
REV. :	DATE :	DESCRIPTION :	DRAWING NO. :
1 : 1	1-10-2013	Universal Mount	60051 - 60055